

# DS SERIES

## SOLID STATE SENSOR



### FEATURES:

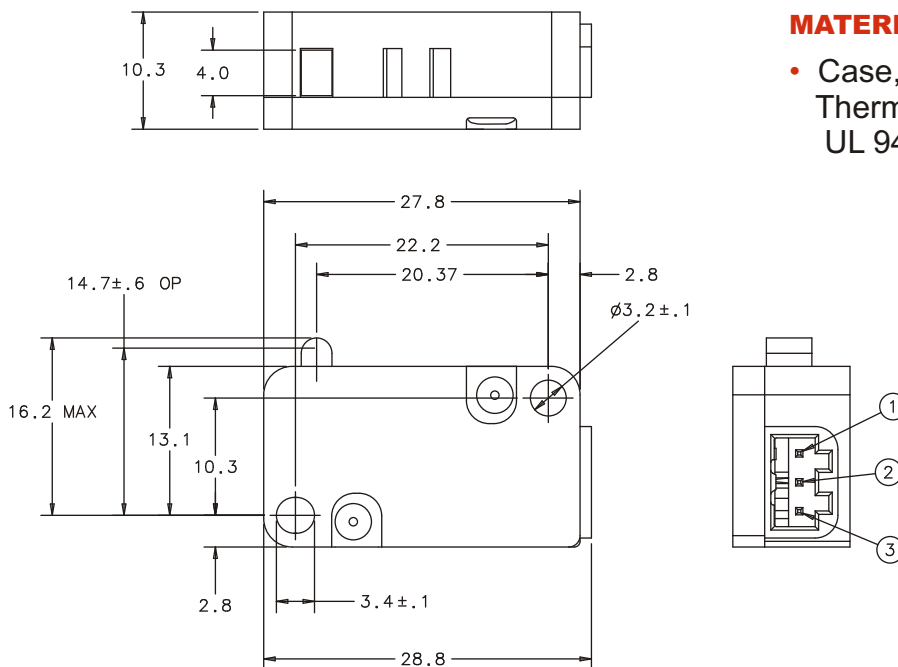
- Fits mounting dimensions of popular snap-action switches
- Tested to over 10 million operations
- High ratio and standard ratio actuator position
- Available with lever, roller, and simulated roller actuators
- Solid state sinking output using Hall effect technology
- UL recognized

### APPLICATIONS:

- Pedal position sensing
- Door/lid interlock
- Joystick position sensing
- End-of-Travel sensing

### MATERIAL SPECIFICATIONS:

- Case, cover, actuating button: Thermoplastic Polyester (PBT)  
UL 94 V-0



Accepts AMP Connector  
10224-1 or equivalent

NOTE: Sensor requires the use of an external pull-up resistor the value of which is dependent on the supply voltage.



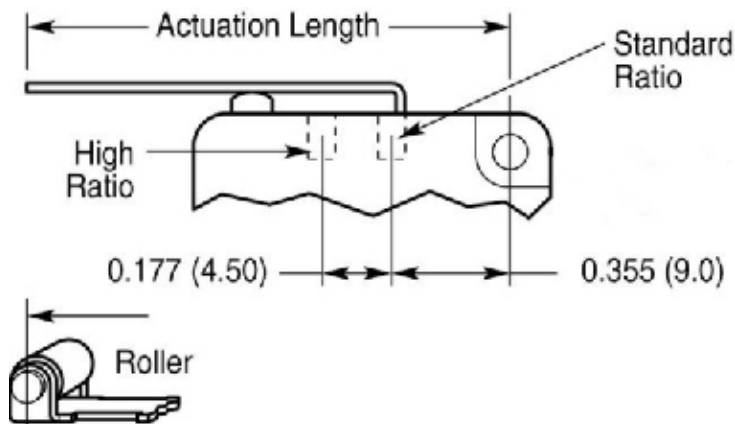
# DS SERIES

## SOLID STATE SENSOR

### SPECIFICATIONS

Supply Voltage (VDC)	4.5 to 24
Supply Current (mA max.@ 25° C)	15
Output Type	Sink
Output Current (mA max.)	20
Sensor State (Button at rest position)	Normally OFF
Operating Temp	-40° to 85°C
Storage Temp	-40° to 150°C

PART NUMBER	Lever Style	Lever Actuation Length (inch / mm)	Lever Activation Ratio	MAX PRETRAVEL (inch / mm)	OPERATE POINT (inch / mm)	OPERATE POINT TOLERANCE (+/-inch, +/-mm)	MIN OVERTRAVEL (inch / mm)	MAX MOVEMENT DIFFERENTIAL (inch / mm)	MAX OPERATING FORCE (g)
DS1101AA	n/a	n/a	n/a	0.06 1.50	0.58 14.70	0.02 0.60	0.04 1.00	0.01 0.20	84
DS1101JA	SS Leaf	0.87 22.0	Std	0.08 2.1	0.60 15.2	0.03 0.7	0.04 1.0	0.01 0.2	84
DS1101KA	SS Leaf	1.04 26.5	High	0.14 3.5	0.60 15.2	0.05 1.2	0.07 1.7	0.02 0.4	53
DS1101JD	SS Leaf	1.40 35.7	Std	0.17 4.3	0.60 15.2	0.06 1.4	0.08 2.1	0.02 0.5	43
DS1101KD	SS Leaf	1.58 40.2	High	0.28 7.1	0.60 15.2	0.09 2.4	0.14 3.6	0.03 0.8	26
DS1101JJ	SS Leaf	2.34 59.4	Std	0.32 8.1	0.60 15.2	0.11 2.7	0.16 4.0	0.04 0.9	23
DS1101KJ	SS Leaf	2.52 63.9	High	0.53 13.5	0.60 15.2	0.18 4.5	0.27 6.7	0.06 1.5	14
DS1101RA	Roller	0.81 20.5	Std	0.07 1.8	0.81 20.6	0.02 0.6	0.04 0.9	0.01 0.2	99
DS1101TA	Roller	1.0 25.0	High	0.12 3.1	0.81 20.6	0.04 1.0	0.06 1.5	0.01 0.3	59
DS1101SC	Simulated Roller	1.29 32.7	Std	0.15 3.8	0.73 18.5	0.05 1.3	0.07 1.9	0.02 0.4	48
DS1101UC	Simulated Roller	1.47 37.2	High	0.25 6.3	0.73 18.5	0.08 2.1	0.12 3.2	0.03 0.7	29



### Contact

Call, fax or visit our website for more information.

### Cherry Electrical Products

11200 88th Avenue  
Pleasant Prairie, WI 53158

Phone: 262 942 6500  
Fax: 262 942 6566  
Web: [www.cherrycorp.com](http://www.cherrycorp.com)